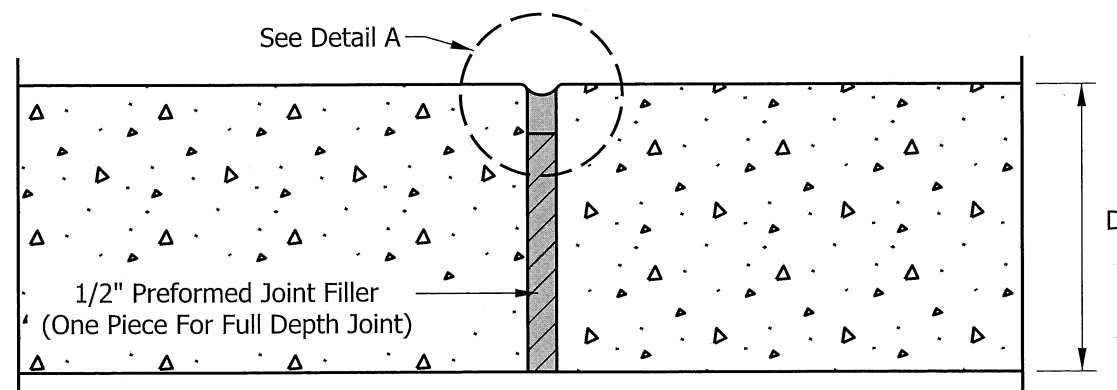


DETAIL A



SIDEWALK EXPANSION JOINT

NOTES:

1. Dimension D is equal to the sidewalk or curb ramp.

INDIANA DEPARTMENT OF TRANSPORTATION

Sidewalk Expansion Joint